

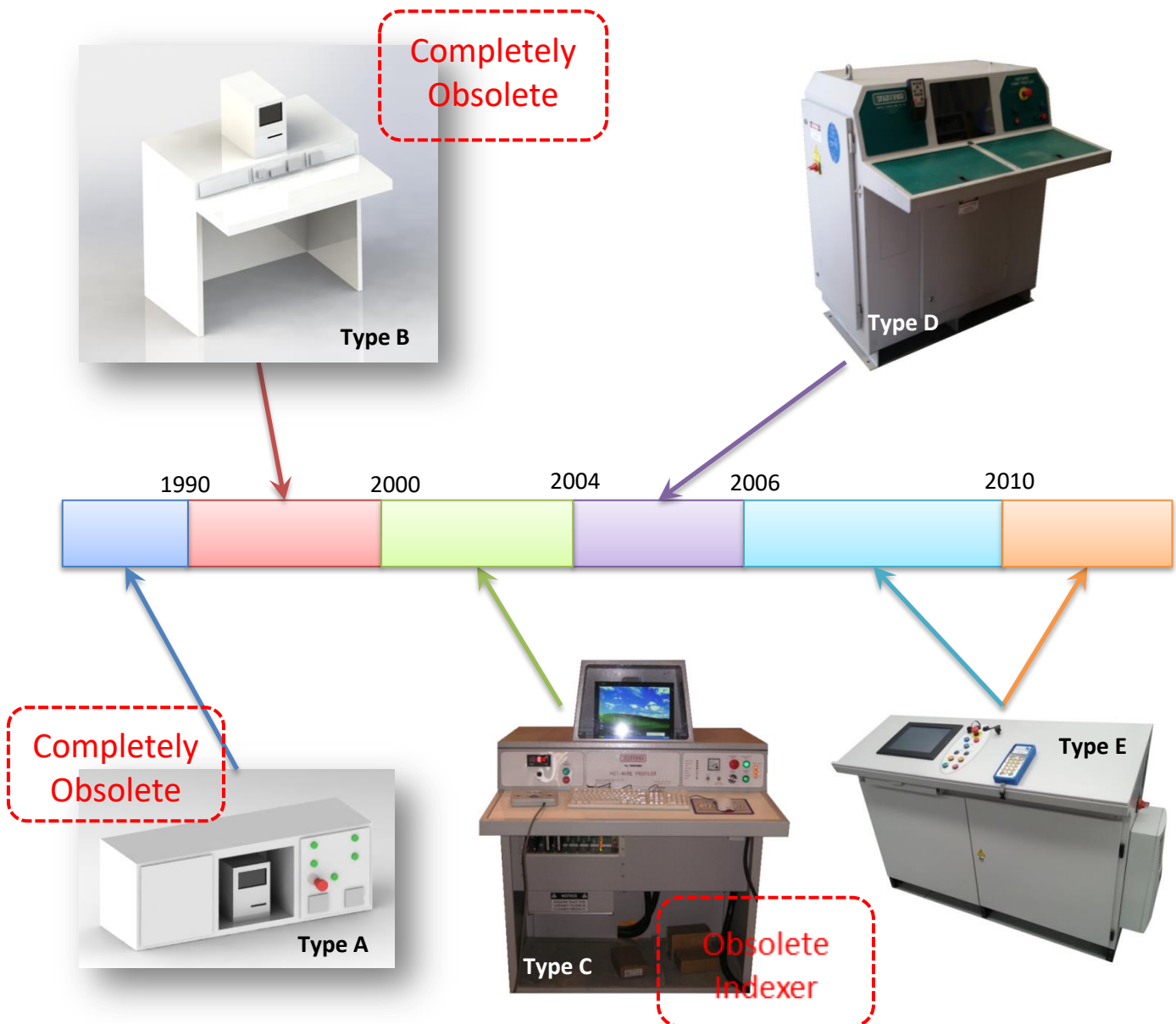
Wintech Technical Note 212 REV A

Title: Cabinet/Controller Version
Applies to: Cabinets
Author: Hayden Brown
Purpose: Information

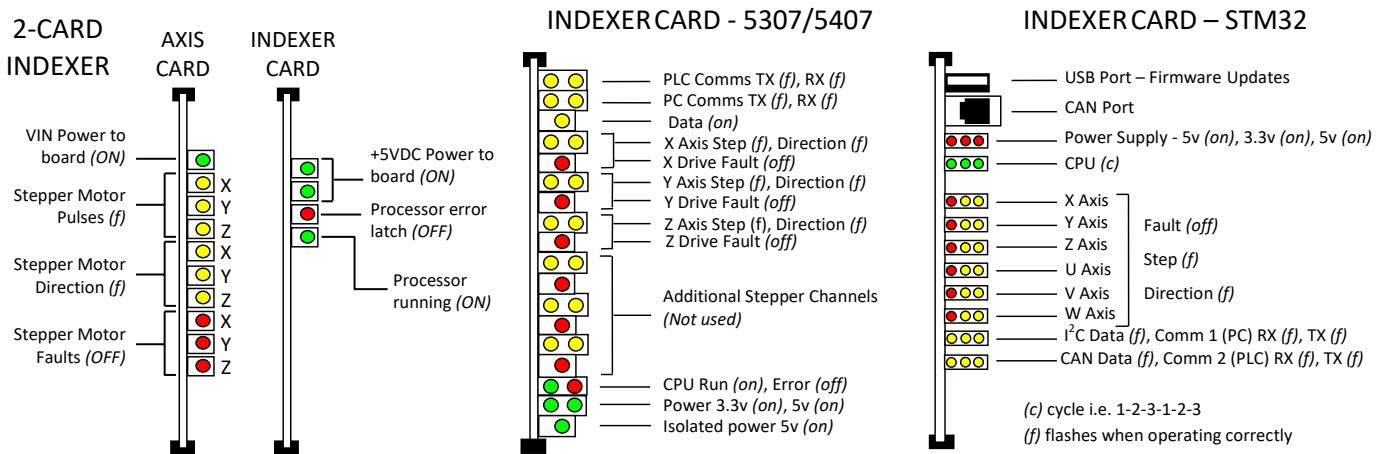
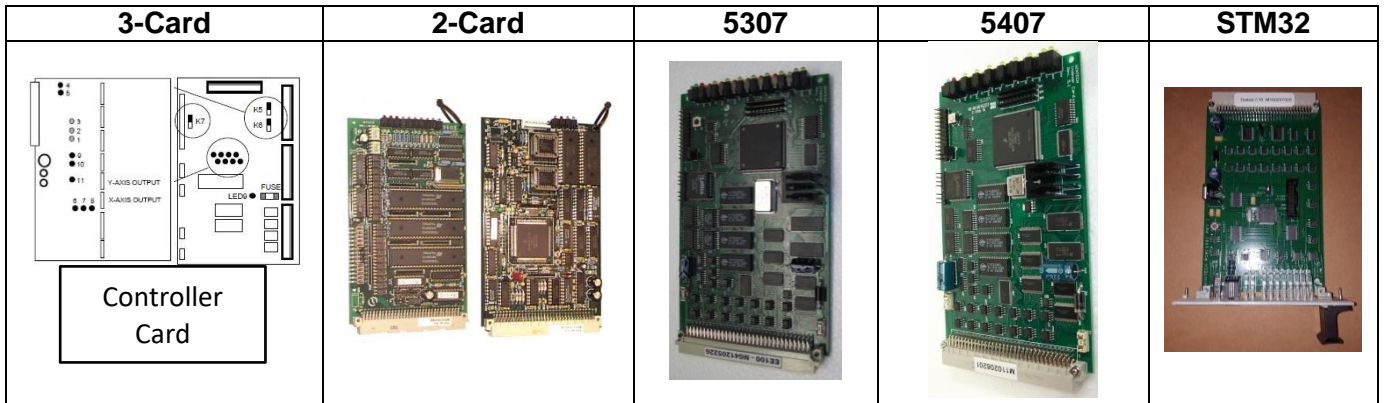
Date: 11 August 2016

Wintech Engineering has been manufacturing contour cutting machines since the mid-1980s. Over time, the control cabinet has evolved and undergone many changes as technology advances. This is a guide to the capability of older cabinet designs with respect to the compatibility of controllers.

Please have a look at the photographs and images below to identify the cabinet used.



If it is required to identify the card in your system, please look at the photographs and LED layout images as shown below.



		CABINET VERSION						
		-1989	1990-99	2000-04	2004-05	2006-09	2010-16	2016+
		Type A	Type B	Type C	Type D	Type E	Type E	Type E
CONTROLLER CARD VERSION	3-Card	X						
	2-Card		X	P				
	5307			X	X			
	5407			X	X	X	X	
	STM32				P	X	X	Current

There were five various cards used in the Wintech Contour Cutter Control Cabinets; the more-recent cabinets are upgradable, as shown in the table above. Cells marked 'X' show cabinet/card combinations that are possible, with 'P' representing partial compatibility and represents incompatible combinations. Please contact Wintech Engineering or your authorized distributor for further information.